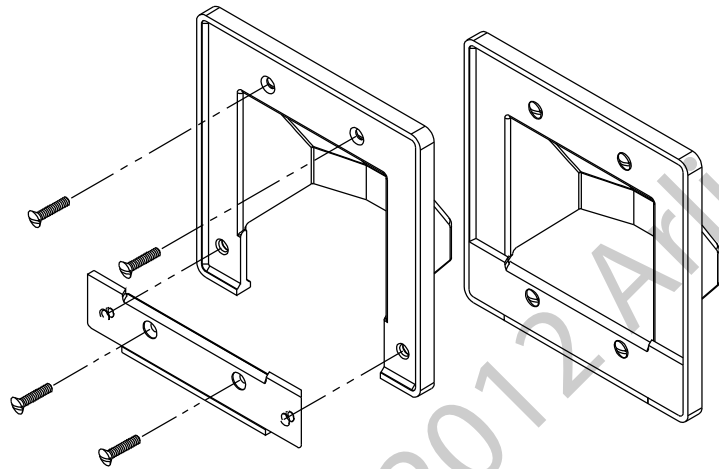


ASSEMBLED WITH CHUTE  
PROTRUDING FROM WALL



ASSEMBLED WITH CHUTE  
PROTRUDING INTO WALL CAVITY

ISOMETRIC VIEWS

