

# TP4 Retrofit Bracket Instructions: MODEL NO. TP4RBKT

## Product description:

The **TP4 Retrofit Bracket** is an adapter for in-wall nearly flush retrofit installation of a TP4 touch screen.

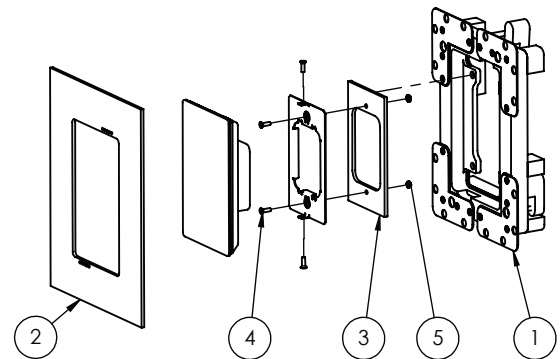
The **TP4 Retrofit Bracket** securely mounts the TP4 touch screen while allowing easy insertion, removal and operation.

## Key features and benefits:

- Nearly flush with the wall (0.16 in. [4mm] thick on-wall bezel).
- Wall mount may be mounted in any orientation.
- Allows easy insertion and removal of the touch screen.
- Bezel attaches magnetically to the retrofit wall mount base.

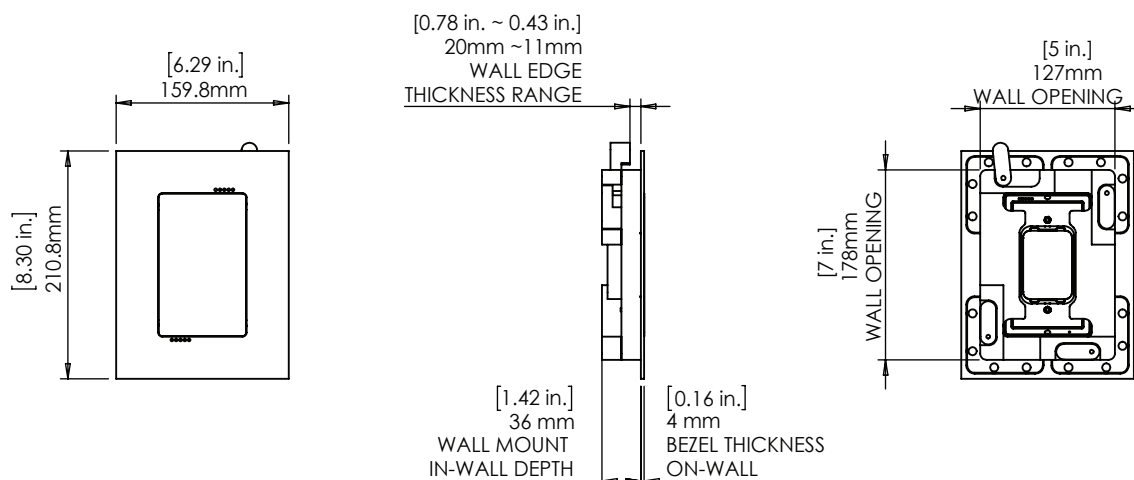
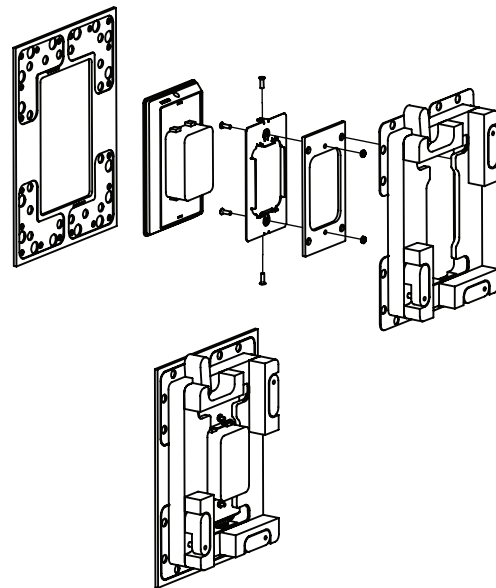
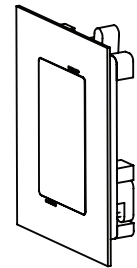
## Key properties:

- Dimensions: (W/H/D):  
6.23 in. (159.8mm) X 8.3 in. (210.8mm)  
X 1.54 in. (39mm)
- Weight: 2.64 lbs. (1.2kg)
- Material: Moisture resistant MDF

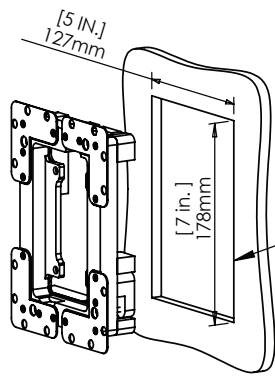


## Adapter kit contains:

1. One wall mount base
2. One bezel
3. One touch panel adapter
4. Two M3x12 screws
5. Two M3 nuts



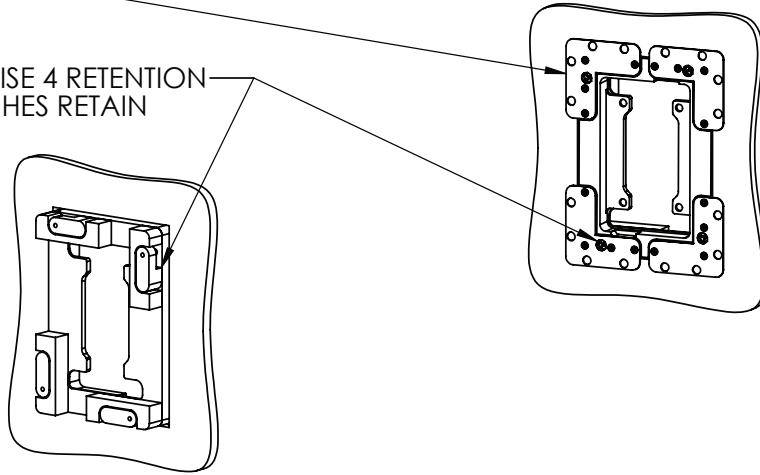
# MODEL NO. TP4RBKT



1. CUT OPENING
2. ROUTE NECESSARY CABLES

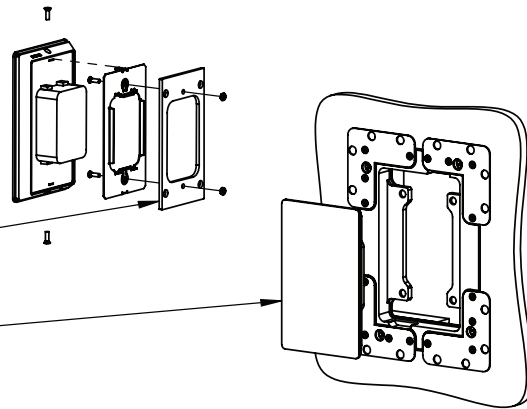
3. INSERT WALL MOUNT BASE

4. GENTLY SCREW CLOCKWISE 4 RETENTION SCREWS UNTIL CAM LATCHES RETAIN THE UNIT.



5. ASSEMBLE THE TOUCH PANEL ADAPTOR

6. ATTACH TOUCH SCREEN (MAGNETICALLY)



7. ATTACH THE BEZEL (MAGNETICALLY)

