

CRS8 Custom Round Series



CRS8 Four

- Woofer: 8" Aluminum/Magnesium Cone with Dual Voice Coil, Rubber Surround, and Front-Mounted 3 Position \pm 3dB Bass Adjustment Switch
- Tweeter: 1" Pivoting Aluminum/Magnesium Dome with Neodymium Magnet and Front-Mounted 3 Position \pm 3dB Treble Adjustment Switch
- Sensitivity: 90dB 1W/1m
- Frequency Response: 36Hz - 22kHz \pm 2dB
- Impedance: 8/6/4 ohm, Depending on Switch Position
- Power Recommendations: 5-150 Watts (undistorted)
- Diameter x Depth:-11 1/4" x 4 1/2"
- Cut-out Diameter: 9 1/4"



CRS8 Three

- Woofer: 8" Aluminum Cone with Dual Voice Coil, Rubber Surround, and Front-Mounted 3 Position \pm 3dB Bass Adjustment Switch
- Tweeter: 1" Pivoting Aluminum Dome with Neodymium Magnet and Front-Mounted, 3 Position \pm 3dB Treble Adjustment Switch
- Sensitivity: 90dB 1W/1m
- Frequency Response: 38Hz - 22kHz \pm 2dB
- Impedance: 8/6/4 ohm, Depending on Switch Position
- Power Recommendations: 5-125 Watts (undistorted)
- Diameter x Depth:-11 1/4" x 4 1/2"
- Cut-out Diameter: 9 1/4"



CRS8 Two

- Woofer: 8" Glass Composite Cone with Rubber Surround
- Tweeter: 1" Pivoting Silk Dome with Neodymium Magnet and Front Mounted, 3 Position \pm 3dB Treble Adjustment Switch
- Sensitivity: 90dB 1W/1m
- Frequency Response: 40Hz - 20kHz \pm 2dB
- Impedance: 8 ohm
- Power Recommendations: 125 Watts (undistorted)
- Diameter x Depth:-11 1/4" x 4 1/2"
- Cut-out Diameter: 9 1/4"

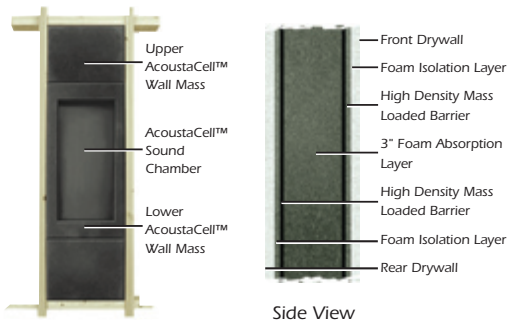


CRS8 One

- Woofer: 8" Polypropylene Cone with Rubber Surround
- Tweeter: 1" Pivoting Silk Dome with Neodymium Magnet
- Sensitivity: 89dB 1W/1m
- Frequency Response: 40Hz - 20kHz \pm 2dB
- Impedance: 8 ohm
- Power Recommendations: 5-100 Watts (undistorted)
- Diameter x Depth:-11 1/4" x 4 1/2"
- Cut-out Diameter: 9 1/4"

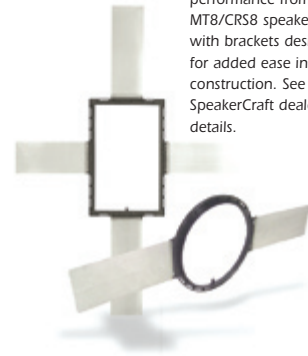
AcoustaCell™

SpeakerCraft's unique AcoustaCell™ system ensures the sonic integrity of your MT8 installations. When installed in the wall bay behind the speaker, AcoustaCell™ isolates the driver enclosure from the surrounding structure. A blend of sound-absorbent materials, the system prevents the sound from passing into the drywall, dampens drywall resonance, halts standing waves and Helmholtz resonance, and dissipates back-waves. The result? New power and definition at the bass end.



AcoustaCell™ gives you remarkably tight, accurate bass response. What's more, it can be retrofit through an existing speaker opening.

New Construction Brackets



SpeakerCraft goes the extra mile to ensure top performance from your MT8/CRS8 speakers, with brackets designed for added ease in construction. See your SpeakerCraft dealer for details.

Sound Enclosures



These provide a 1-hour fire enclosure and up to 10dB of sound suppression between adjacent rooms. They can also act as new construction brackets. See your SpeakerCraft dealer for specifications.

MT8 Mirror Image Technology Series



MT8 Four

- Speaker Type: High-End Audio and Home Theater, Rectangular In-Wall
- Woofer: 8" DVC, Magnesium/Aluminum Cone, Butyl Rubber Surround, Kapton Voice Coil
- Midrange: 2 1/2" Magnesium/Aluminum Dome, Neodymium Magnet, Uni-Pivot, Mirrored Imaged
- Tweeter: 1" Magnesium/Aluminum Dome, Neodymium Magnet, Uni-Pivot, Mirror Imaged
- Frequency Response: 38Hz - 22kHz \pm 2 dB
- Impedance: 8, 6, or 4 ohm depending on equalization switch position
- Power Handling: Minimum 5 Watts, Maximum 200 watts
- Efficiency: 90 dB 1Watt/1Meter
- Dimensions: 16 1/2" H x 10 1/2" W x 3 3/4" D
- Cut-out size: 15 1/2" H x 9 1/2" W
- Includes AcoustaCell™



MT8 Three

- Speaker Type: High-End Audio and Home Theater, Rectangular In-Wall
- Woofer: 8" DVC, Aluminum Cone, Butyl Rubber Surround, Kapton Voice Coil
- Midrange: 2 1/2" Aluminum Dome, Neodymium Magnet, Uni-Pivot, Mirrored Imaged
- Tweeter: 1" Aluminum Dome, Neodymium Magnet, Uni-Pivot, Mirror Imaged
- Frequency Response: 39Hz - 22kHz \pm 2 dB
- Impedance: 8, 6, or 4 ohm depending on equalization switch position
- Power Handling: Minimum 5 Watts, Maximum 200 watts
- Efficiency: 90 dB 1Watt/1Meter
- Dimensions: 16 1/2" H x 10 1/2" W x 3 3/4" D
- Cut-out size: 15 1/2" H x 9 1/2" W
- Includes AcoustaCell™



MT8 Two

- Speaker Type: High-End Audio and Home Theater, Rectangular In-Wall
- Woofer: 8" DVC, Glass Composite Cone, Butyl Rubber Surround, Kapton Voice Coil
- Midrange: 2 1/2" Glass Composite Cone Uni-Pivot, Mirrored Imaged
- Tweeter: 3/4" Glass Composite Dome, Neodymium Magnet, Uni-Pivot, Mirror Imaged
- Frequency Response: 38Hz - 20kHz \pm 2 dB
- Impedance: 8, 6, or 4 ohm depending on equalization switch position
- Power Handling: Minimum 5 Watts, Maximum 125 watts
- Efficiency: 90 dB 1Watt/1Meter
- Dimensions: 16 1/2" H x 10 1/2" W x 3 3/4" D
- Cut-out size: 15 1/2" H x 9 1/2" W



MT8 One

- Speaker Type: High-End Audio and Home Theater, Rectangular In-Wall
- Woofer: 8" DVC, Polypropylene Cone, Butyl Rubber Surround, Kapton Voice Coil
- Midrange: 2 1/2" Polypropylene Cone Uni-Pivot, Mirrored Imaged
- Tweeter: 3/4" Treated Silk Dome, Neodymium Magnet, Uni-Pivot, Mirror Imaged
- Frequency Response: 40Hz - 20kHz \pm 2 dB
- Impedance: 8 ohm
- Power Handling: Minimum 5 Watts, Maximum 100 watts
- Efficiency: 90 dB 1Watt/1Meter
- Dimensions: 16 1/2" H x 10 1/2" W x 3 3/4" D
- Cut-out size: 15 1/2" H x 9 1/2" W



Fine Architectural Loudspeakers



CRS8
MT8
Series

SpeakerCraft

SpeakerCraft

LIT87800 (rev2)



Totally Invisible To The Naked Eye

Today's living environment is a unique place apart from the world outside. It's a place to display your style and interests, and to enjoy the best that life has to offer. The same goes for your interior design, which is all about comfort and hospitality for family and friends.

Enter the new MT8 Series in-wall and CRS8 Series in-ceiling loudspeakers from SpeakerCraft. Used in stereo pairs or together in a system array, they enhance the home without cluttering it. That's something no floor-standing design can claim. And when it comes to great-sounding music and entertainment for you and your family, the MT8 and CRS8 really deliver.

The MT8 Series three-way and CRS8 Series two-way models are a proud testament to 25 years in architectural speakers—a field we invented. Featuring drivers of magnesium/aluminum, neodymium, glass fiber and other high-tech materials, they deliver smooth sound and crisp detail in home theater and stereo applications.

Each of the MT8 three-way in-wall models is equipped with our exclusive UniPivot™ module combining midrange and tweeter. UniPivot™ lets you direct the midrange and tweeter frequencies toward you for consistently enjoyable listening. Likewise, the pivoting tweeters in the CRS8 two-way designs put the sound where you want it.

MT8 models Four, Three and Two even let you preset the bass, midrange and treble over a range of plus or minus 3dB. Similarly, the CRS8 Four, Three and Two offer settings for bass and treble. With SpeakerCraft you won't have to remodel your home just so the speakers will sound right.



Home Theater Essentials



Home Theater by Runco®

A home theater audio system enhances the excitement and dynamics of your favorite movie or concert performance. Still, it's a matter of why the MT8 (with UniPivot™) and CRS8 models let you aim the midrange drivers and/or tweeters. This allows the sound from the front speakers to come together for better "imaging." Additionally, all models employ powerful 8" woofers for deep, accurate bass and precise midrange response.

It's a different story with rear-channel speakers. Most movie soundtracks direct background sounds such as rain, echoes, explosions and distant events to the rear speakers. This requires crisp and accurate sound up front and diffusion at the rear of the space. The CRS8 models answer the call, thanks to a pivoting tweeter and our unique WavePlane™ baffle. While the high-frequency sound, being directional in nature, bounces off adjacent walls, the WavePlane™ distributes the high frequencies across a broad area.

SpeakerCraft has manufactured millions of in-wall and in-ceiling loudspeakers, and you have our pledge that each product we build provides the highest level of workmanship and performance. It's a commitment to quality matched only by our warranty . . . **LIFETIME.**

Anywhere Living Takes You



The attention to detail for which we're known is evident in every aspect of the MT8 and CRS8 speakers. They'll perform equally well in a small bathroom, cozy den or large family room, ensuring absolute sound quality at all listening levels. That's the SpeakerCraft way. In fact, we build speakers for virtually invisible installation throughout the home: in ceilings and walls, out on the patio, and in the landscaping.

The SpeakerCraft line also includes multi-room amplifiers, digital touch-screen/touch-pad control systems, IR relays, volume controls and in-wall personal stereos. We offer the best loudspeakers available today, plus the controls that make everything work seamlessly. And people who like spending time outdoors should really hear our all-weather speakers.

Equalization

Frequency Equalization Switches:

Separate front-mounted EQ switches for bass, midrange and treble (MT8 Four/Three/Two) and for bass and treble (CRS8 Four/Three/Two) let you tailor frequency response to your room arrangement. You won't find yourself wishing for more or less treble, midrange or bass output from one speaker just because you don't happen to sit right between them.

It's easy to get the sound you want: Just flick a switch. Front-mounted equalization, coupled with the UniPivot module and pivoting tweeters, makes these the world's most user-friendly in-wall speakers.

Sound Innovations

Sound Aiming

UniPivot™ Module: In a three-way speaker system it's essential that the midrange and treble frequencies reach the listener in proper phase. UniPivot™ incorporates a sealed enclosure for the midrange and tweeter, which allows these critical components to be aimed as one unit. With UniPivot™ your favorite spot is truly the best seat in the house.

Pivoting Tweeter: The tweeters in the CRS8 two-way models direct the high-frequency output toward you, eliminating "hot" or "weak" spots in the sound field. Or when mounted directly overhead at the rear of a home theater installation, the tweeters can be directed away from the listener for a more naturalistic sound. Talk about fingertip control: If your seating or listening position changes, just re-aim the tweeters. It's that easy!

